

Via Val Lerone 21 - 16011 Arenzano (GE)

Tel.+39 010 542671 – Fax.+39 010 593209

@-mail : [qcsrl@tiscali.it](mailto:qcsrl@tiscali.it)

**[www.sparetainer.com](http://www.sparetainer.com)**

PRODUCTS RANGE

---

CONTAINER SPARE PARTS  
CORNER CASTINGS ISO AND SPECIAL  
OFFICE CONTAINER COMPONENTS

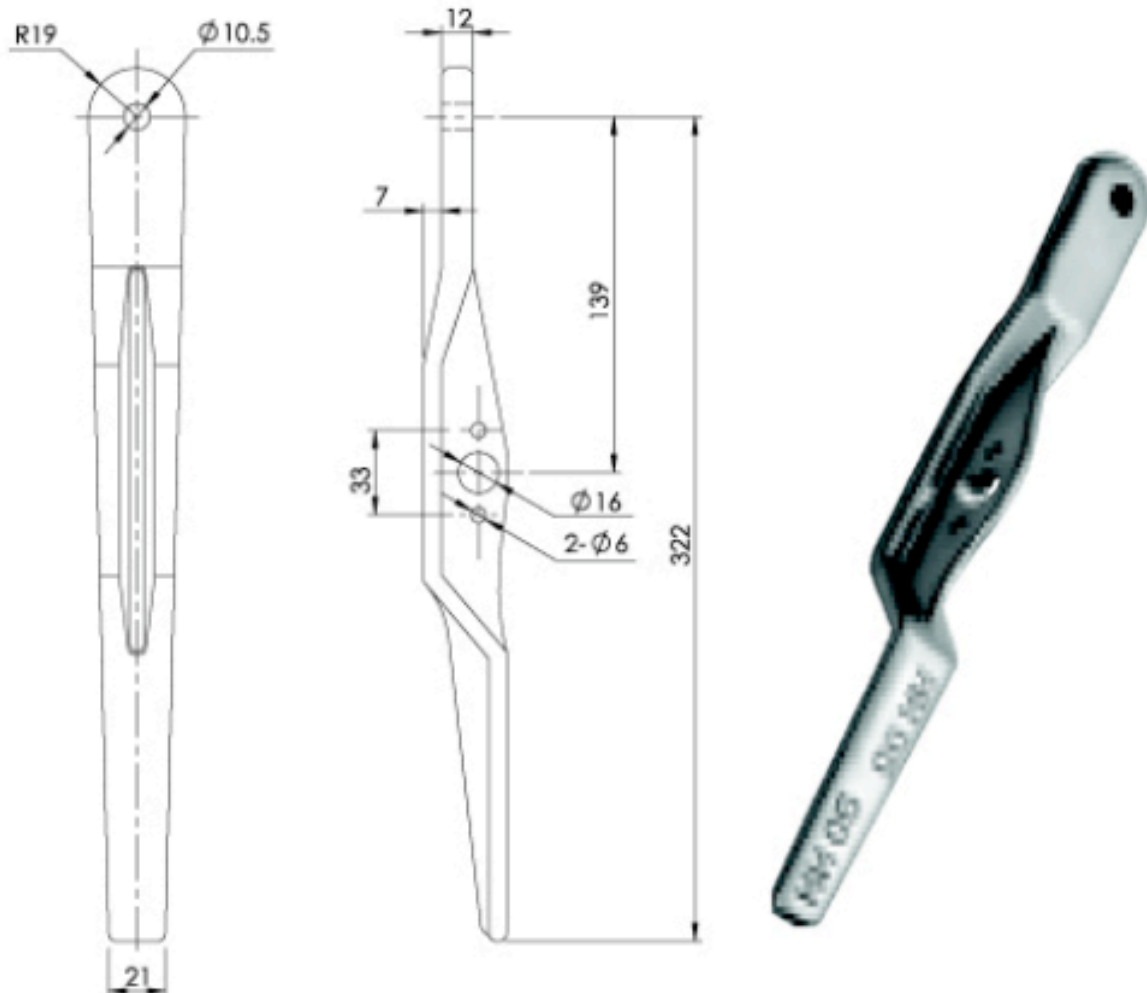


**Head Office** : Via Val Lerone 21 - 38 - 53 16011 Arenzano GE - Italy  
Tel.+39 010 542671 – Fax.+39 010 593209  
E-Mail : qcsrl@tiscali.it

**Q&C srl**

## CATALOGO PRODOTTI/PRODUCT RANGE

---



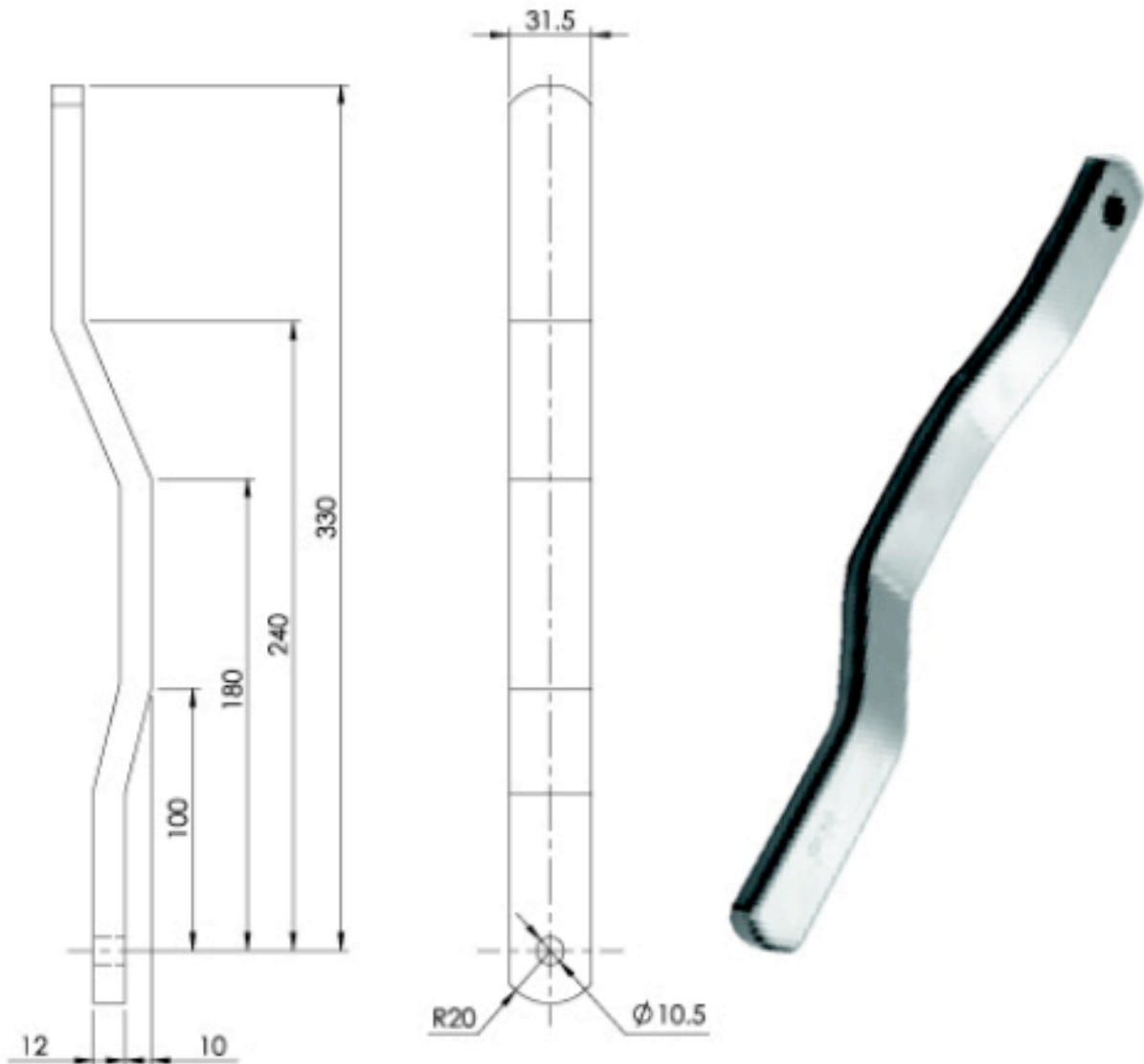
### **Art. HH05**

Forged Handle / Maniglia Forgiata  
Box 20 Pcs



## CATALOGO PRODOTTI/PRODUCT RANGE

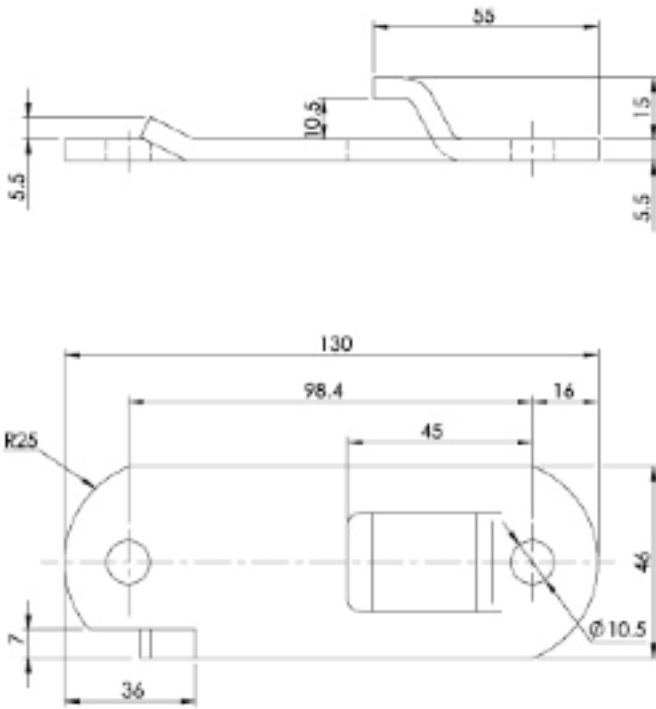
---



Flat Handle / Maniglia Piatta  
Art. 321  
Box 20 pcs

**CATALOGO PRODOTTI/PRODUCT RANGE**

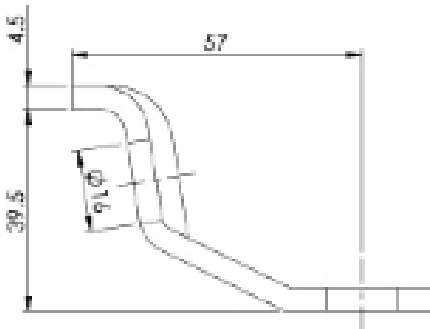
---



**Art. HH 183**  
**Forged Handle Retainer**

**Staffa Arresto maniglia**  
**Forgiata**

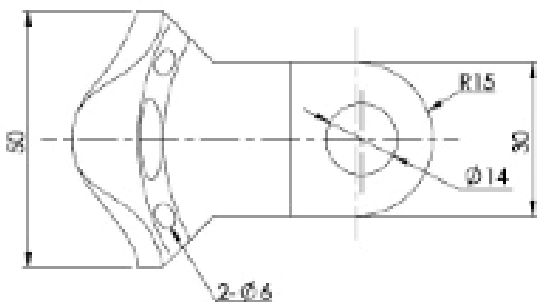
**Box 50 Pcs**



**Art. HH 192**  
**Forged Handle Catch**

**Nottolino maniglia**  
**Forgiata**

**Box 50 Pcs**

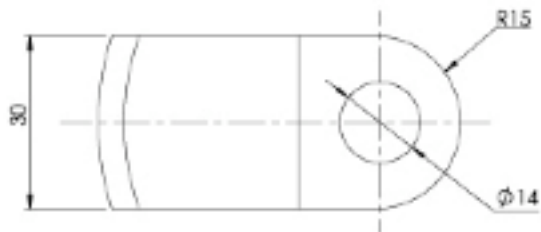
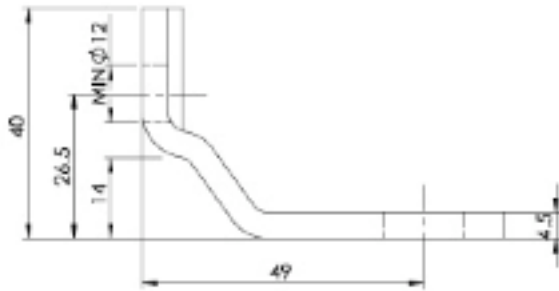




**Head Office :** Via Val Lerone 21 - 38 - 53 16011 Arenzano GE - Italy  
Tel.+39 010 542671 – Fax.+39 010 593209  
E-Mail : qcsrl@tiscali.it

**Q&C srl**

## CATALOGO PRODOTTI

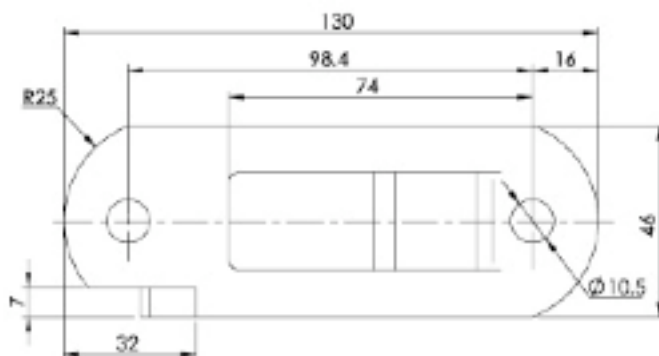
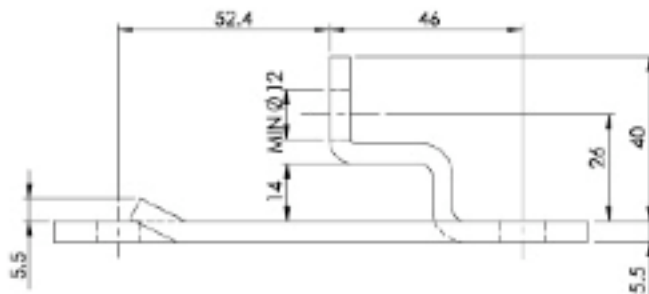


### **Art. HH 009**

**Flat Handle Catch**

**Nottolino Maniglia Piatta**

**Box 50 Pcs**



### **Art. HH 010**

**Flat Handle Retainer**

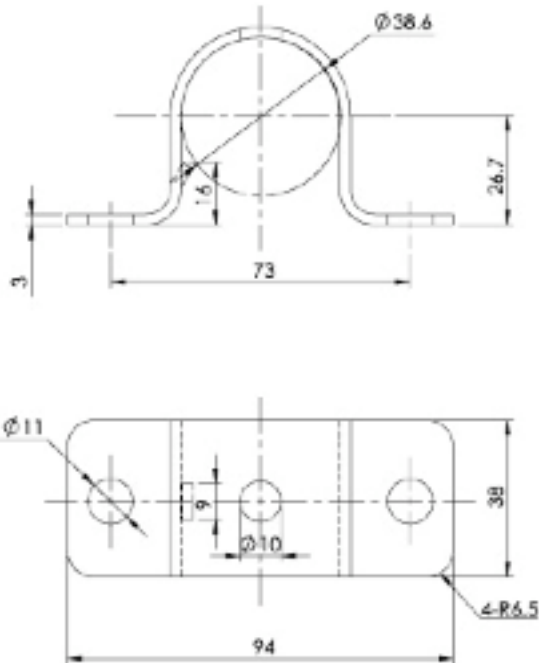
**Staffa Maniglia Piatta**

**Box 50 Pcs**



## CATALOGO PRODOTTI

---

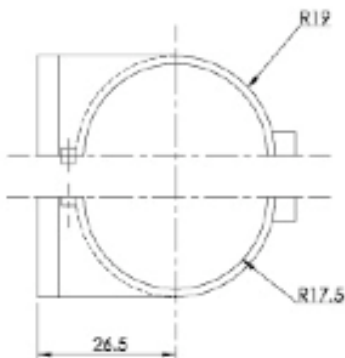
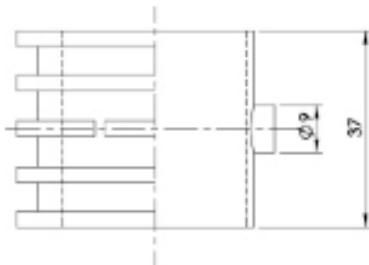


**Art. HH507**

**BBOS (Bolt)**

**Guida Asta intermedio imbullonabile**

**Box 50 Pcs**



**Art. 518**

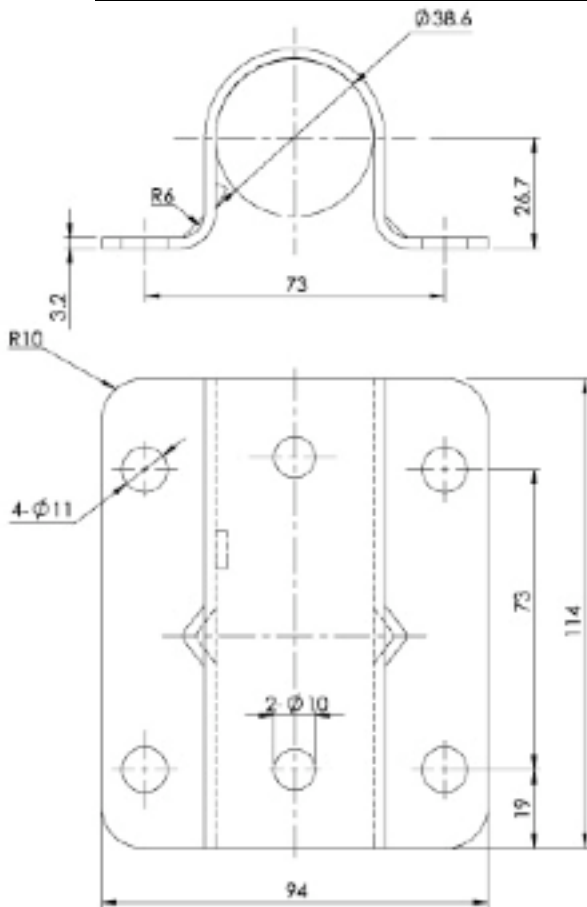
**Plastic Bush for  
HH507**

**Plastica Guida Asta  
HH507**

**Box 50 Pcs**



## CATALOGO PRODOTTI

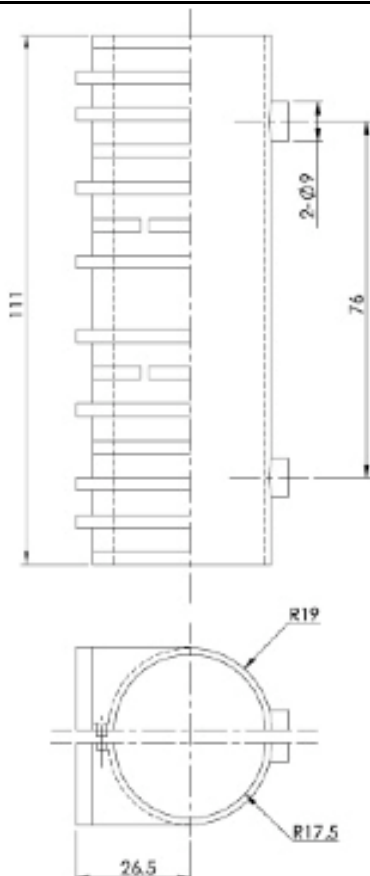


### Art. HH 684

BBOL (Bolt)

Guida Asta Estremità Imbullonabile

Box 25 Pcs



### Art. HH 536

Plastic bush for HH 684

Plastica per guida asta HH 684

Box 25 Pcs



## CATALOGO PRODOTTI

---

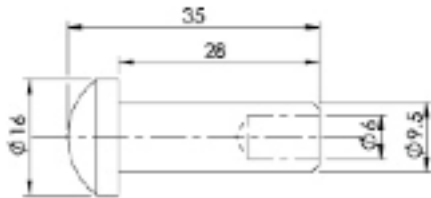






## CATALOGO PRODOTTI

---



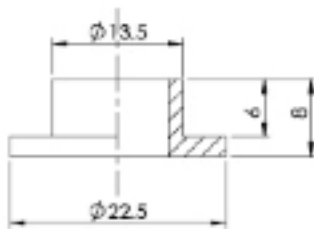
### **Art. HH 038**

**Rivet  
Rivetto**

**Box 100 Pcs**



**MATL: S10C**

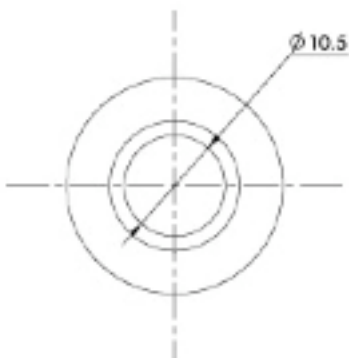


### **Art. HH 185**

**Bush**

**Boccola**

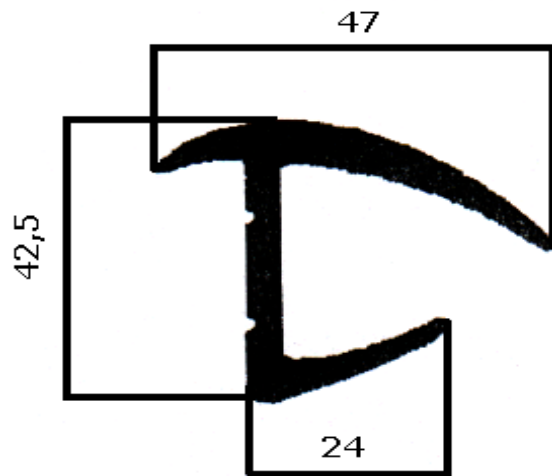
**Box 100 Pcs**



**MATL: S10C**



## CATALOGO PRODOTTI



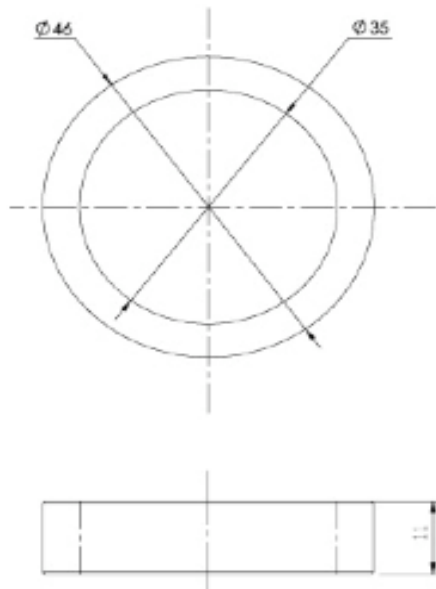
Guarnizione porta  
containers

Container Door Gasket

**Art.230**

Rotoli 30 mt/cad

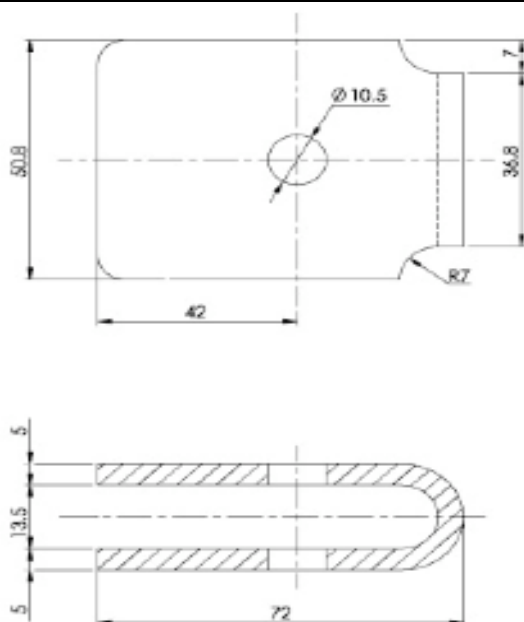
Rolls of 30 mt/each



**Art. HH 945**

Antirack Ring  
Anello Ammortizzante

Box 100 Pcs



**Art. HH 084**

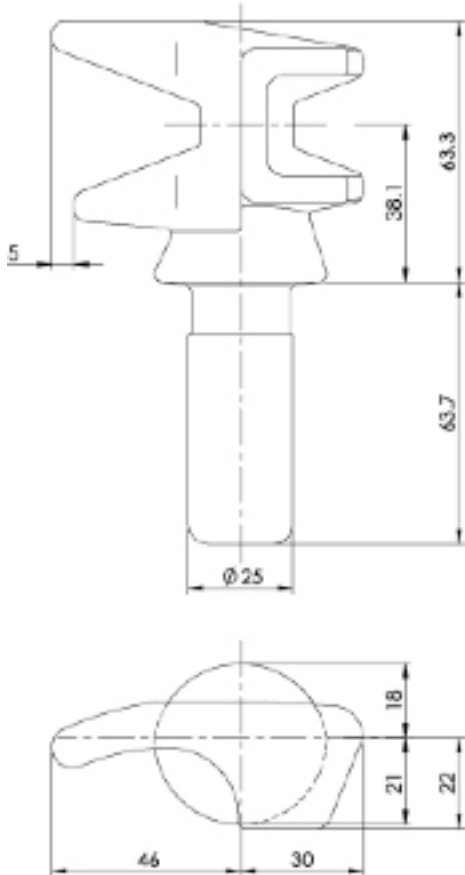
Handle Hub  
Mozzo Maniglia

Box 50 Pcs



**CATALOGO PRODOTTI**

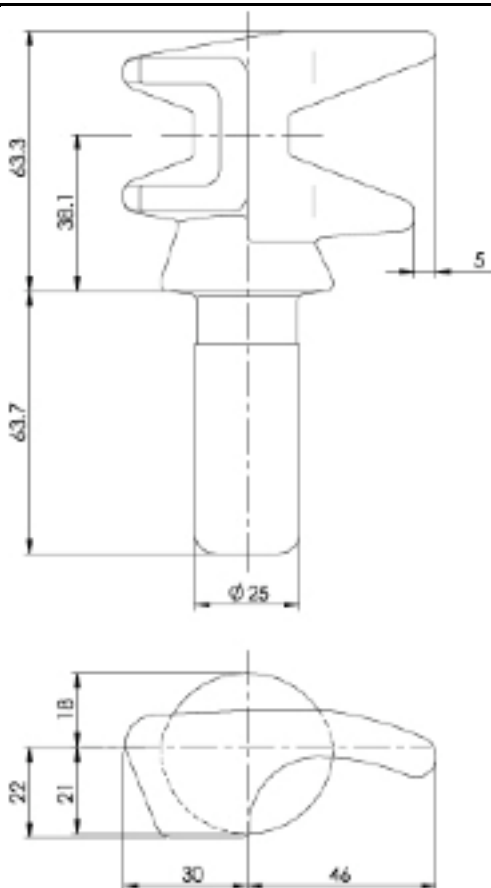
---



**Art. HH 01**

Cam LH  
Arpione Sinistro

Box 20 Pcs



**Art. HH 02**

Cam R.H  
Arpione Destro

Box 20 Pcs

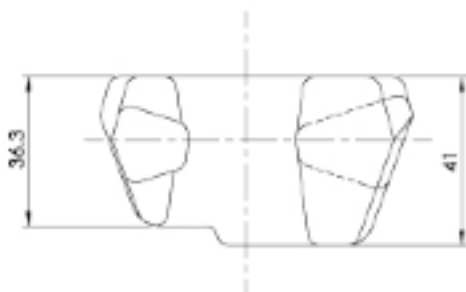
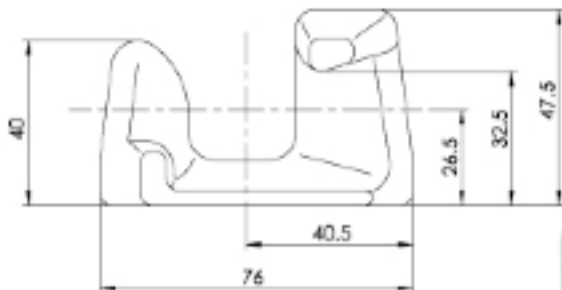


**Head Office :** Via Val Lerone 21 - 38 - 53 16011 Arenzano GE - Italy  
Tel.+39 010 542671 – Fax.+39 010 593209  
E-Mail : qcsrl@tiscali.it

**Q&C srl**

## CATALOGO PRODOTTI

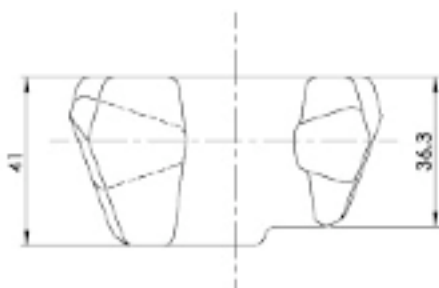
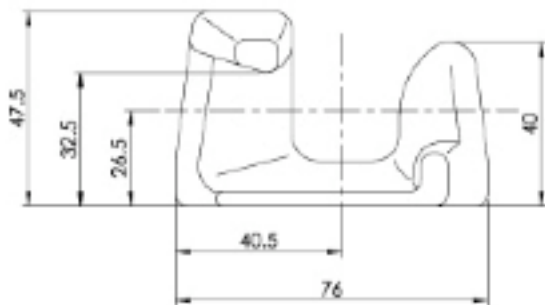
---



**Art. HH 03**

**Keeper LH  
Ingancio Sinistro**

**Box 20 Pcs**



**Art. HH 04**

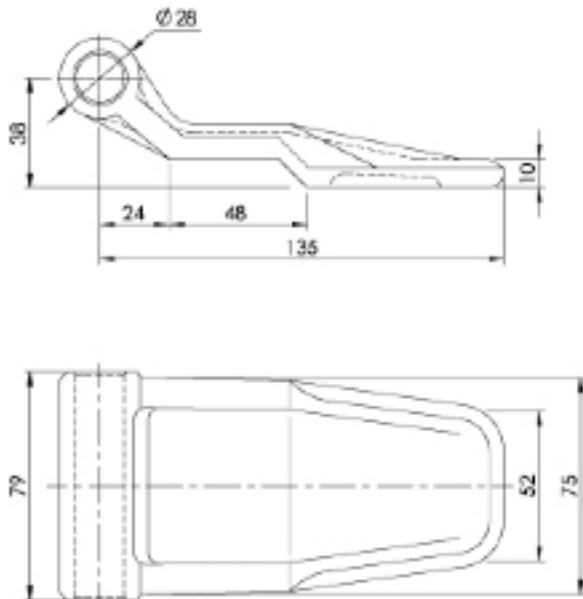
**Keeper RH  
Ingancio Destro**

**Box 20 Pcs**



## CATALOGO PRODOTTI

---



**Box 20 Pcs**

20 Pcs Hinge  
20 Pcs SS Pin  
40 Pcs Lugs



**Art. HH79 (79mm height)**

Door Hinge  
Cerniera Porta

---



**Box 20 Pcs**

20 Pcs Hinge  
20 Pcs SS Pin  
40 Pcs Lugs

**Art. HH64 (64mm Height)**

Door Hinge  
Cerniera Porta

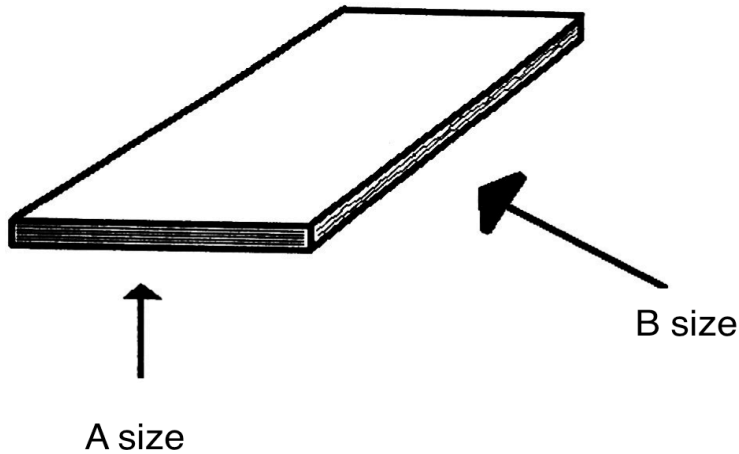


**Head Office :** Via Val Lerone 21 - 38 - 53 16011 Arenzano GE - Italy  
Tel.+39 010 542671 – Fax.+39 010 593209  
E-Mail : qcsrl@tiscali.it

**Q&C srl**

## CATALOGO PRODOTTI

---



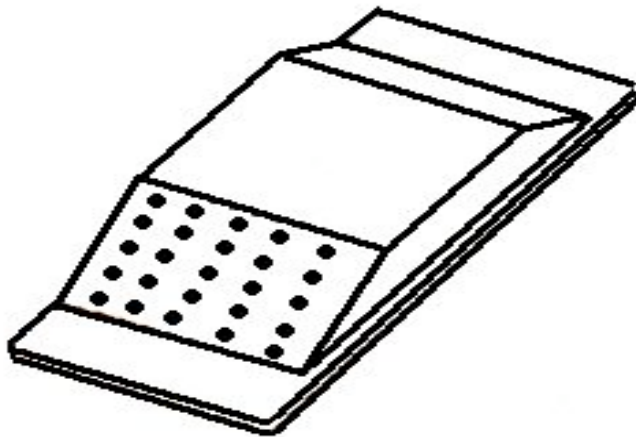
Container Plywood

High Strenth Container Plywood  
Thickness 28mm

A Size 1160	B Size 2400	Art.1160
A Size 1220	B Size 2440	Art.2440



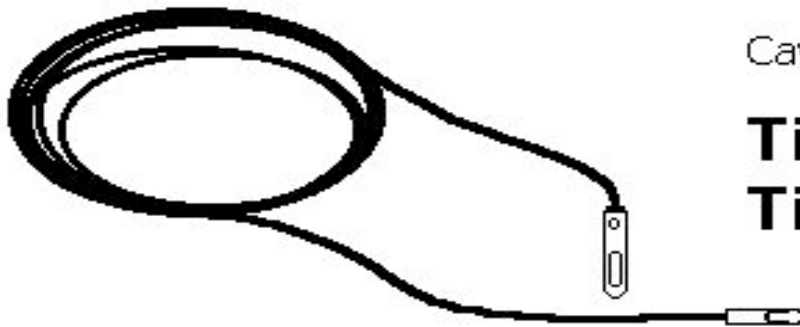
## CATALOGO PRODOTTI



Aeratore piccolo  
25 PZ

**Art. AER01**

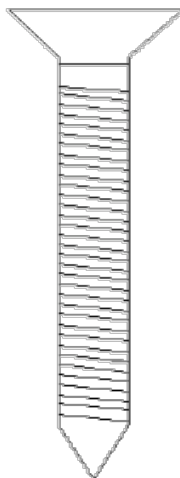
Conf. 30 pz



Cavi Tir per Open Top

**Tir 20**

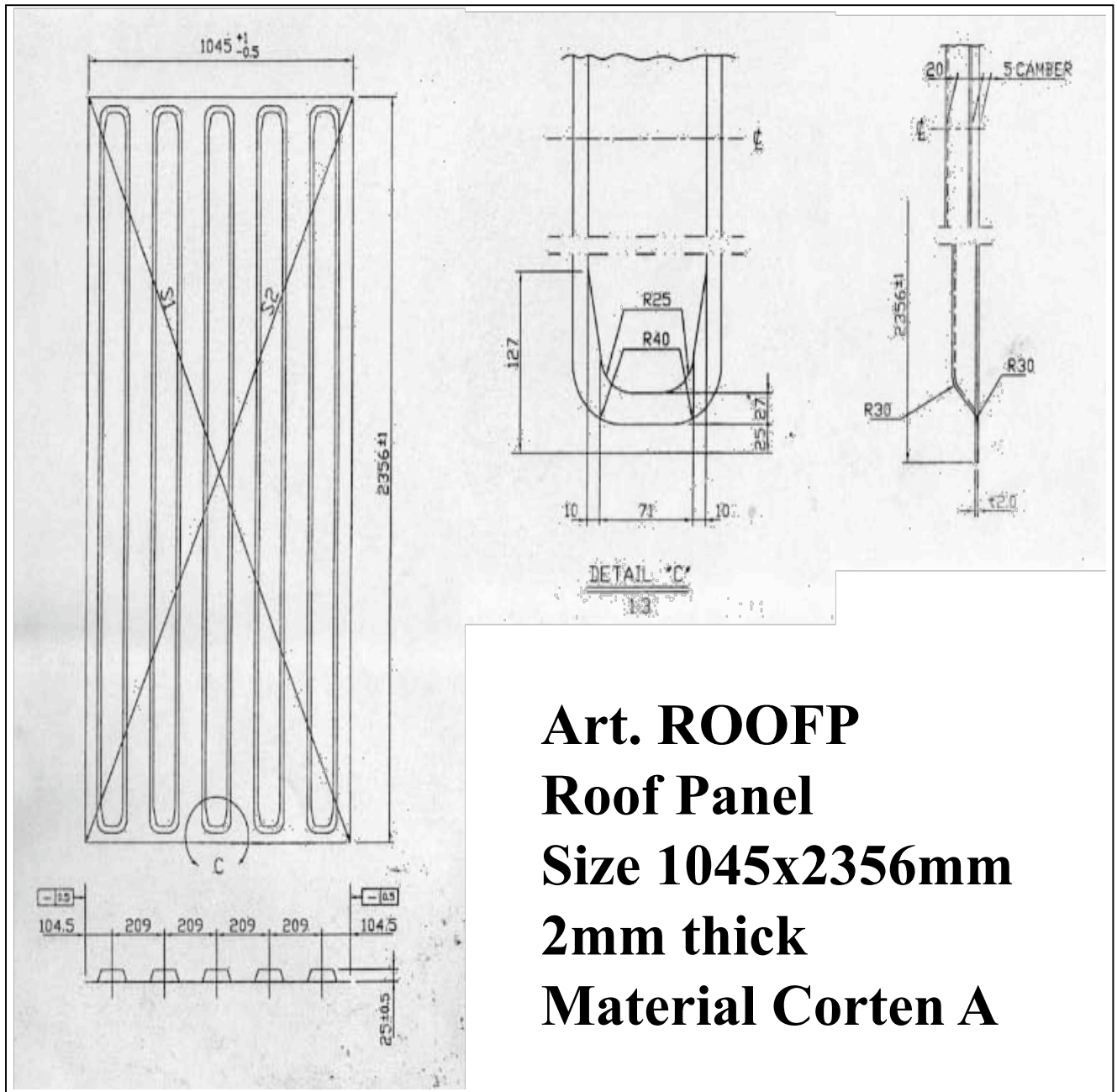
**Tir 40**



Vite Pavimento  
Floor Screw  
Art 6.30.60



## CATALOGO PRODOTTI





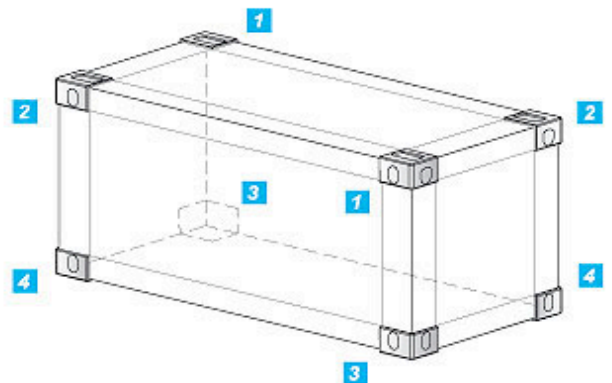
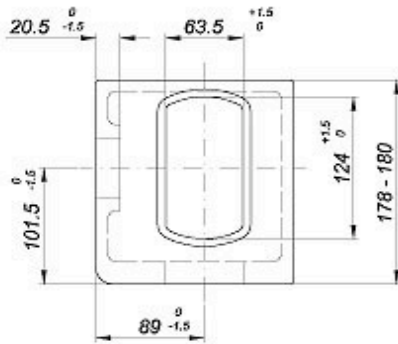
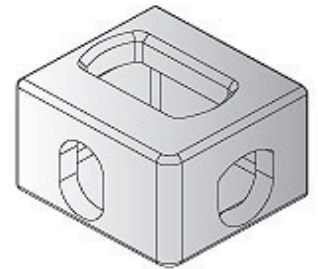
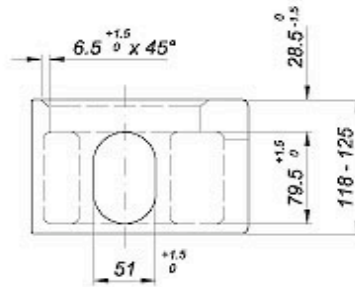
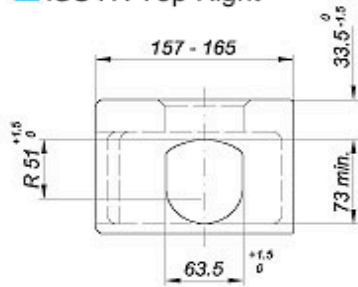


## CATALOGO PRODOTTI

### Top Corner Castings

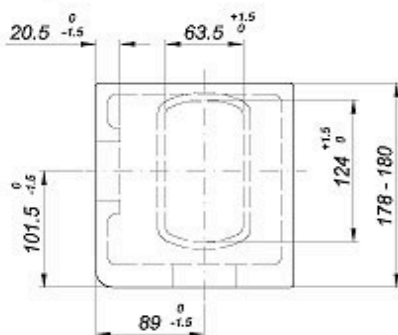
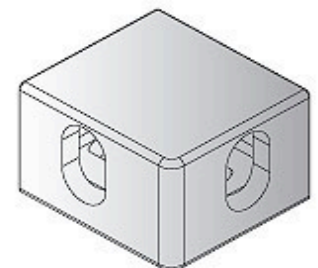
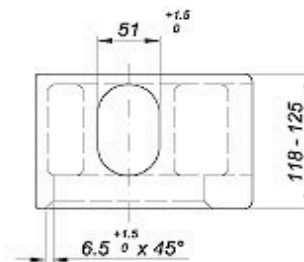
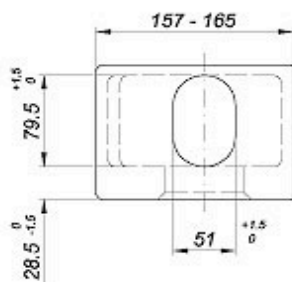
- 1 ISOTL Top Left
- 2 ISOTR Top Right

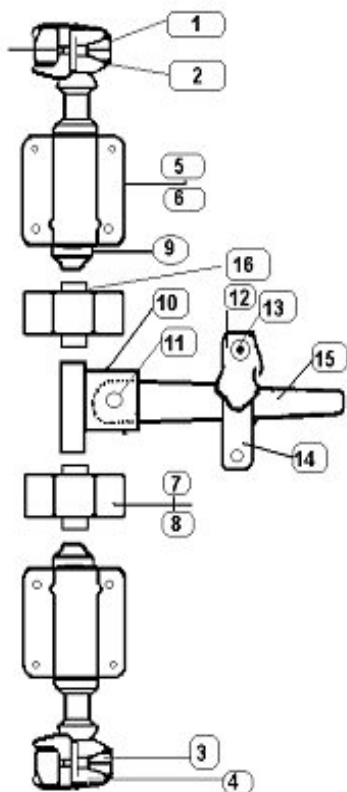
In accordance with ISO 1161 (1984)



### Bottom Corner Castings

- 3 ISOBL Bottom Left
- 4 ISOBR Bottom Right





QUANTITA' MINIMA PER UN'ASTA

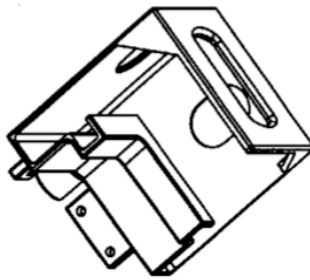
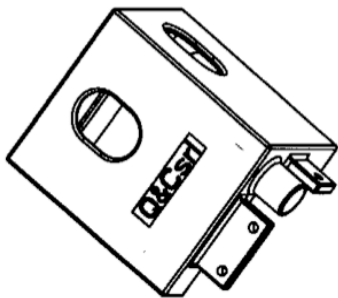
Minimum Quantity for one Door Lock

1	HH00	INGANCIO DESTRO	1
2	HH01	ARPIONE SINISTRO	1
3	HH02	ARPIONE DESTRO	1
4	HH03	INGANCIO SINISTRO	1
5	HH684	GUIDA ASTA ESTREMITA	2
6	HH536	PLASTICA PER HH684	2
7	HH507	GUIDA ASTA INTERMEDIO	1
8	HH518	PLASTICA PER HH507	1
9	HH945	ANELLO AMMORTIZZANTE	4
10	HH084	MOZZO MANIGLIA	1
11	HH038	RIVETTO	1
12	HH192	NOTTOLINO MANIGLIA FORGIATA	1
12	HH009	NOTTOLINO MANIGLIA PIATTA	1
13	HH185	BOCCOLA	1
14	HH183	STAFFA MANIGLIA FORGIATA	1
14	HH010	STAFFA MANIGLIA PIATTA	1
15	HH05	MANIGLIA FORGIATA	1
15	HH321	MANIGLIA PIATTA	1



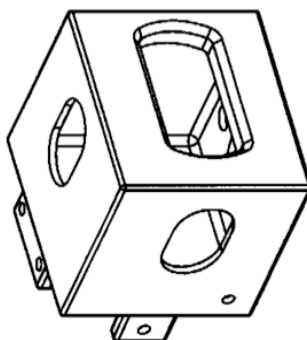
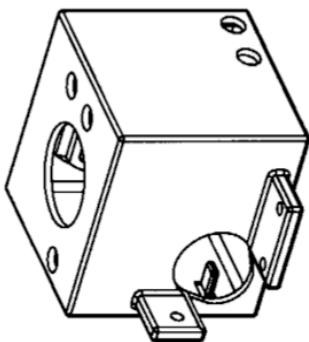
**Head Office :** Via Val Lerone 21 - 38 - 53 16011 Arenzano GE - Italy  
Tel.+39 010 542671 - Fax.+39 010 593209  
E-Mail : qcsrl@tiscali.it

**Q&C srl**



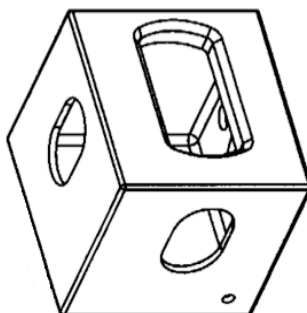
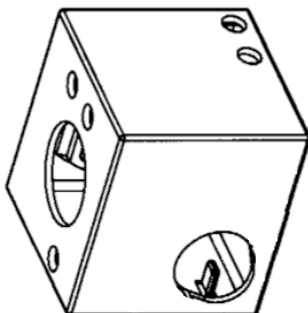
QCH5 Top Left

QCH6 Top Right



QCH1 Bottom Right

QCH2 Bottom Left



Also without  
holed plate model



**Head Office :** Via Val Lerone 21 - 38 - 53 16011 Arenzano GE - Italy  
Tel.+39 010 542671 - Fax.+39 010 593209  
E-Mail : qcsrl@tiscali.it

**Q&C srl**

***Modular Houses and Service Containers***

