

Via Val Lerone 21 / 38 - 16011 Arenzano (GE)

Tel.+39 010 542671 – Fax.+39 010 593209

@-mail : [qcsrl@tiscali.it](mailto:qcsrl@tiscali.it)

[www.sparetainer.com](http://www.sparetainer.com)

CATALOGO PRODOTTI

---

RICAMBI E ACCESSORI RIMORCHI, FURGONI,  
TELONATI, ISOTERMICI ...

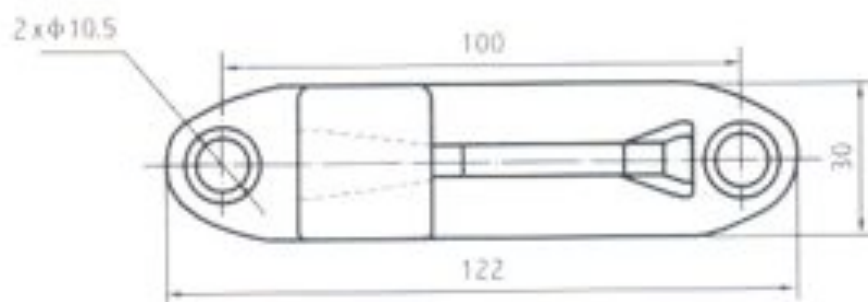


**Head Office:** P.za Piccapietra 76/63 - 16121 Genova - Italy  
Tel.+39 010 542671 – Fax.+39 010 593209  
E-Mail : qcsrl@tiscali.it  
www.smcltd.cn

**Q&C srl**

## CATALOGO PRODOTTI

---



**Art. 5051 L/R**

Ingancio Sx/Dx / Keeper L/R

Conf. 25 Pz

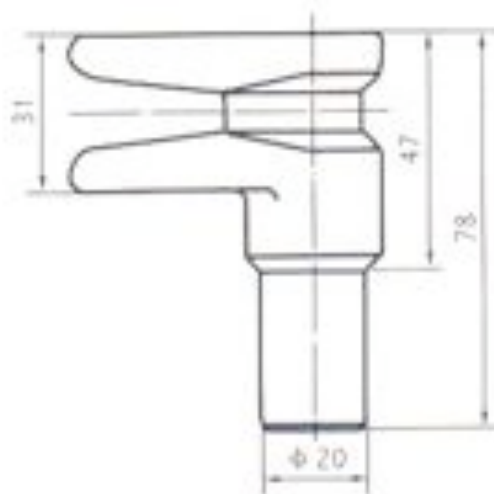


**Head Office:** P.za Piccapietra 76/63 - 16121 Genova - Italy  
Tel.+39 010 542671 – Fax.+39 010 593209  
E-Mail : qcsrl@tiscali.it  
www.smcltd.cn

**Q&C srl**

## CATALOGO PRODOTTI

---



**Art. 5052 L/R**  
**Arpione Sx/Dx / Cam L/R**  
**Conf. 25 Pz**

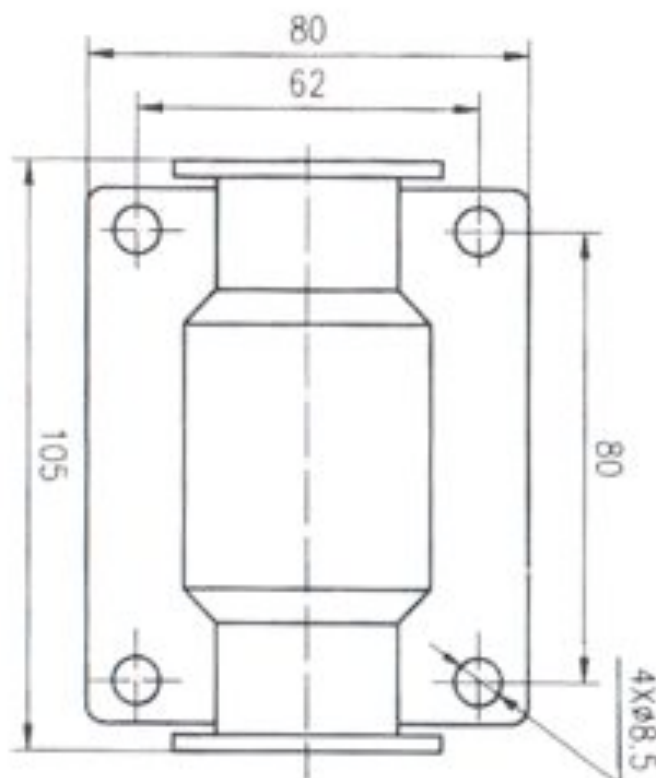


**Head Office:** P.za Piccapietra 76/63 - 16121 Genova - Italy  
Tel.+39 010 542671 – Fax.+39 010 593209  
E-Mail : qcsrl@tiscali.it  
www.smcltd.cn

**Q&C srl**

## CATALOGO PRODOTTI

---



### **Art. 3010**

Guida asta estremità / BBOL

Conf. 50 Pz

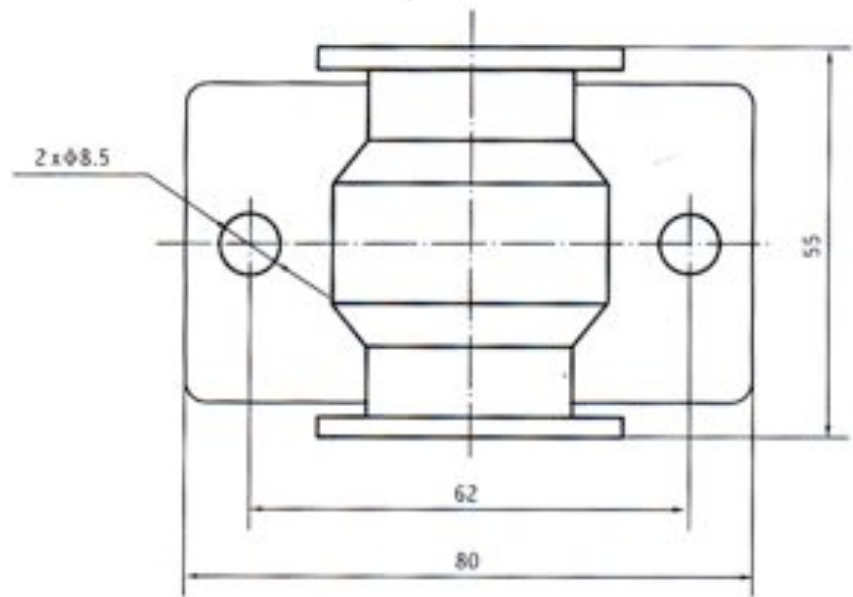


**Head Office:** P.za Piccapietra 76/63 - 16121 Genova - Italy  
Tel.+39 010 542671 – Fax.+39 010 593209  
E-Mail : qcsrl@tiscali.it  
www.smeltd.cn

**Q&C srl**

## CATALOGO PRODOTTI

---



**Art. 3030**

Guida asta intermedio / BBOS

Conf. 50 Pz



**Head Office:** P.za Piccapietra 76/63 - 16121 Genova - Italy  
Tel.+39 010 542671 – Fax.+39 010 593209  
E-Mail : qcsrl@tiscali.it  
www.smcltd.cn

**Q&C srl**

## CATALOGO PRODOTTI

---



**Art. 3060**  
Boccola Nylon  
per Art. 3030

conf. 100 pz



**Art. 3040**  
Boccola Nylon  
per art. 3010

conf. 100 pz



**Head Office** : P.za Piccapietra 76/63 - 16121 Genova - Italy  
Tel.+39 010 542671 – Fax.+39 010 593209  
E-Mail : qcsrl@tiscali.it  
www.smcltd.cn

**Q&C srl**

## CATALOGO PRODOTTI

---



### **Art.2100**

Set chiusura maniglia  
Handle locking set



**Head Office:** P.za Piccapietra 76/63 - 16121 Genova - Italy  
Tel.+39 010 542671 – Fax.+39 010 593209  
E-Mail : qcsrl@tiscali.it  
www.smcltd.cn

**Q&C srl**

## CATALOGO PRODOTTI

---



### **Art.0230**

Bottom side Door Lock  
Chiusura Sottoporta





**Head Office:** P.za Piccapietra 76/63 - 16121 Genova - Italy  
Tel.+39 010 542671 – Fax.+39 010 593209  
E-Mail : qcsrl@tiscali.it  
www.smcltd.cn

**Q&C srl**

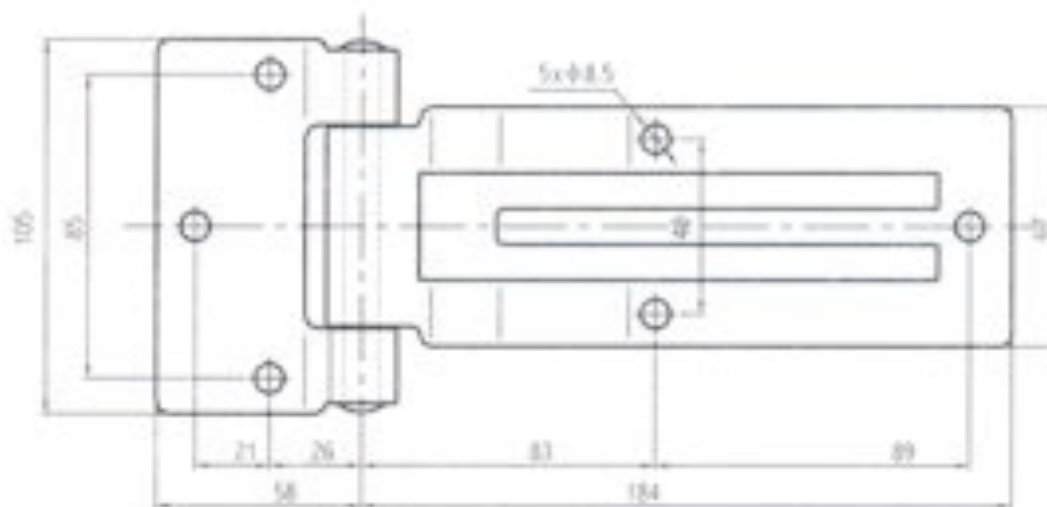
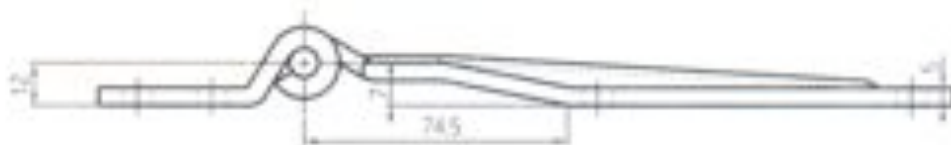
## CATALOGO PRODOTTI

---

### **Art. 1307**

Cerniera – Hinge

conf. 10 pz





**Head Office:** P.za Piccapietra 76/63 - 16121 Genova - Italy  
Tel.+39 010 542671 – Fax.+39 010 593209  
E-Mail : qcsrl@tiscali.it  
www.smcltd.cn

**Q&C srl**

## CATALOGO PRODOTTI

---

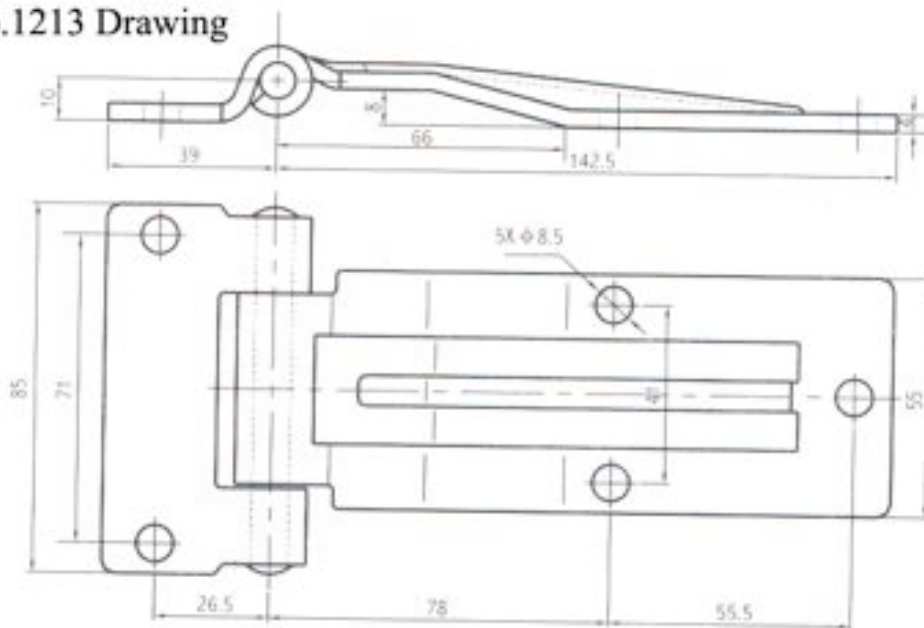
### **Art. 1213**

Cerniera – Hinge

conf. 10 pz



No.1213 Drawing





**Head Office:** P.za Piccapietra 76/63 - 16121 Genova - Italy  
Tel.+39 010 542671 – Fax.+39 010 593209  
E-Mail : qcsrl@tiscali.it  
www.smcltd.cn

**Q&C srl**

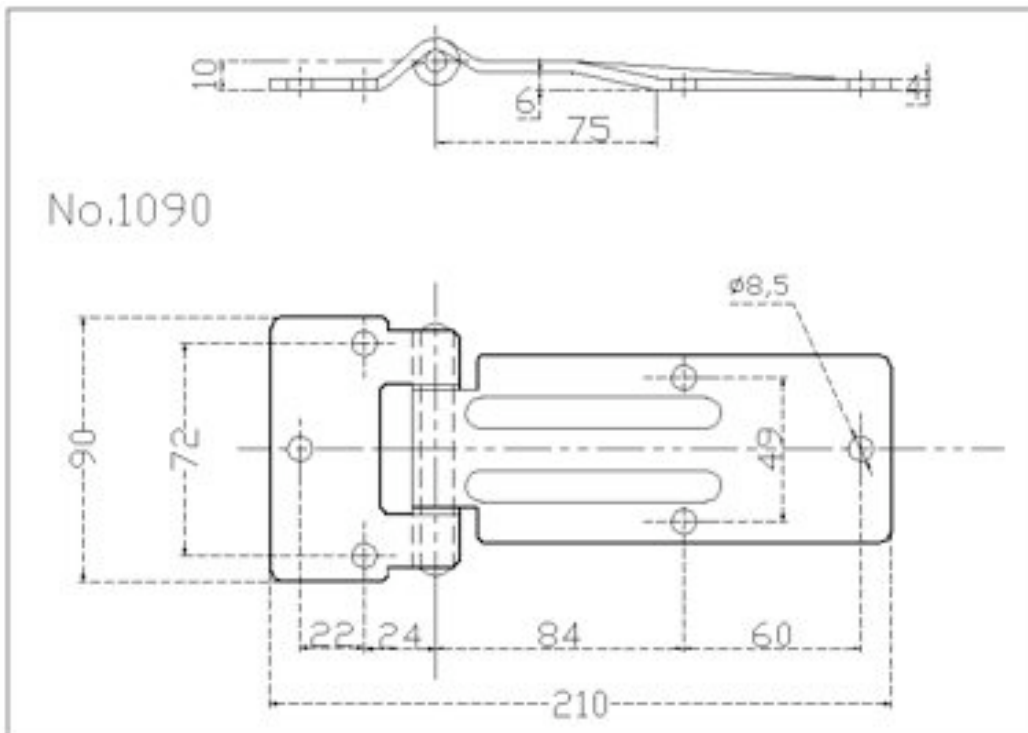
## CATALOGO PRODOTTI

---

### **Art. 1090**

Cerniera – Hinge

conf. 10 pz





**Head Office:** P.za Piccapietra 76/63 - 16121 Genova - Italy  
Tel.+39 010 542671 – Fax.+39 010 593209  
E-Mail : qcsrl@tiscali.it  
www.smcltd.cn

**Q&C srl**

## CATALOGO PRODOTTI

---



### **Art.1223A**

Cerniera pressofusa angolare  
Dropside forged hinge



**Head Office:** P.za Piccapietra 76/63 - 16121 Genova - Italy  
Tel.+39 010 542671 – Fax.+39 010 593209  
E-Mail : qcsrl@tiscali.it  
www.smcltd.cn

**Q&C srl**

## CATALOGO PRODOTTI

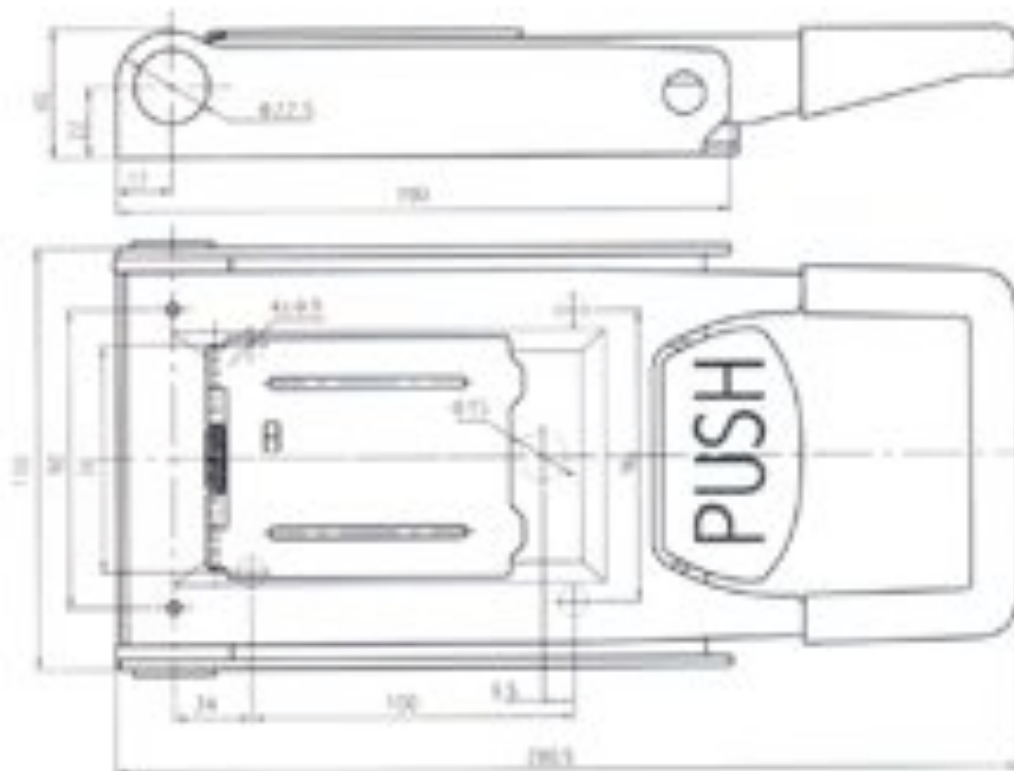
---



### **Art. 2160**

Chiusura esterna  
Door Handle

conf. 1 pz





**Head Office:** P.za Piccapietra 76/63 - 16121 Genova - Italy  
Tel.+39 010 542671 – Fax.+39 010 593209  
E-Mail : qcsrl@tiscali.it  
www.smcltd.cn

**Q&C srl**

## CATALOGO PRODOTTI

---

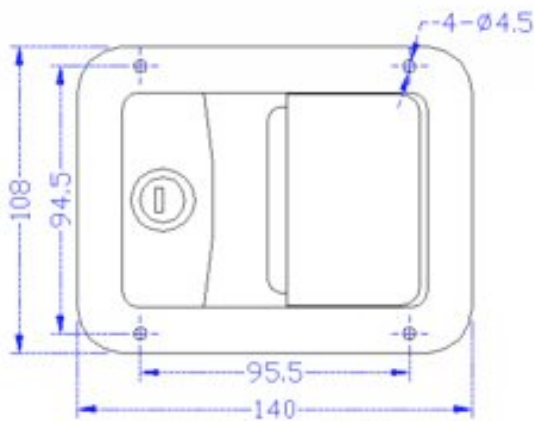


### **Art. 2193**

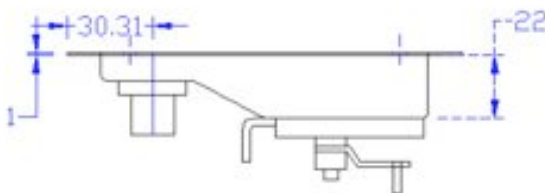
Serratura incasso

Paddle Lock

conf. 5 pz



NO.2193





**Head Office:** P.za Piccapietra 76/63 - 16121 Genova - Italy  
Tel.+39 010 542671 – Fax.+39 010 593209  
E-Mail : qcsrl@tiscali.it  
www.smcltd.cn

**Q&C srl**

## CATALOGO PRODOTTI

---

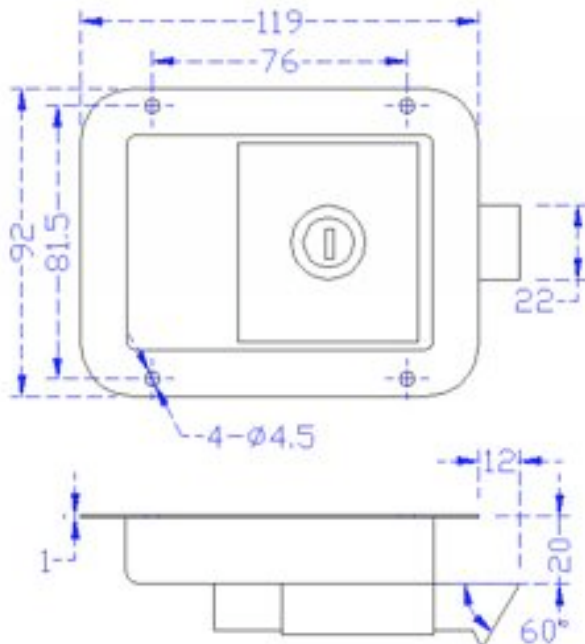


### **Art. 2181**

Serratura incasso

Paddle Lock

conf. 5 pz



NO. 2181



**Head Office:** P.za Piccapietra 76/63 - 16121 Genova - Italy  
Tel.+39 010 542671 – Fax.+39 010 593209  
E-Mail : qcsrl@tiscali.it  
www.smcltd.cn

**Q&C srl**

## CATALOGO PRODOTTI

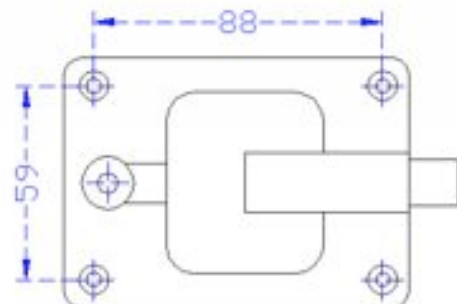
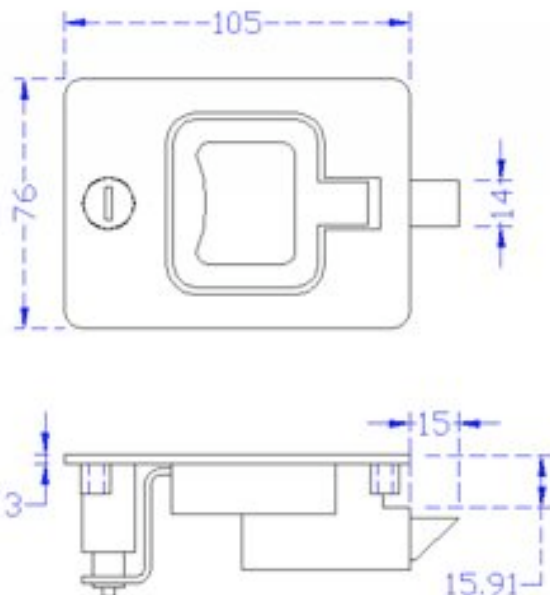
---

### **Art. 2190**

Serratura incasso  
pressofusa

Zinc Casting Paddle  
Lock

conf. 5 pz



NO.2190



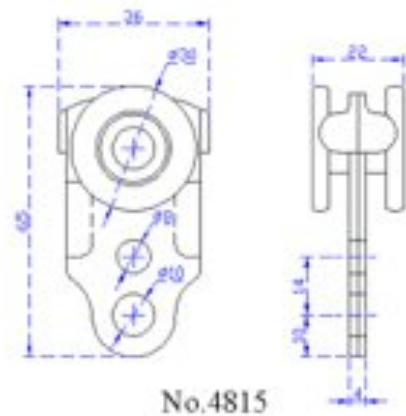
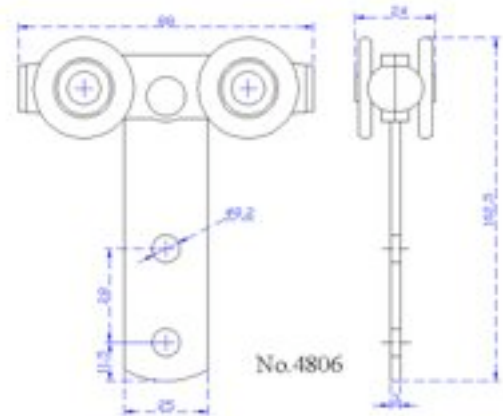


**Head Office:** P.za Piccapietra 76/63 - 16121 Genova - Italy  
Tel.+39 010 542671 – Fax.+39 010 593209  
E-Mail : qcsrl@tiscali.it  
www.smcltd.cn

**Q&C srl**

## CATALOGO PRODOTTI

### *Accessori Vari*





**Head Office:** P.za Piccapietra 76/63 - 16121 Genova - Italy  
Tel.+39 010 542671 – Fax.+39 010 593209  
E-Mail : qcsrl@tiscali.it  
www.smcltd.cn

**Q&C srl**

## CATALOGO PRODOTTI

---

*Accessori sicurezza*



### **Art.2831**

Chiusura sicurezza  
Door seal lock